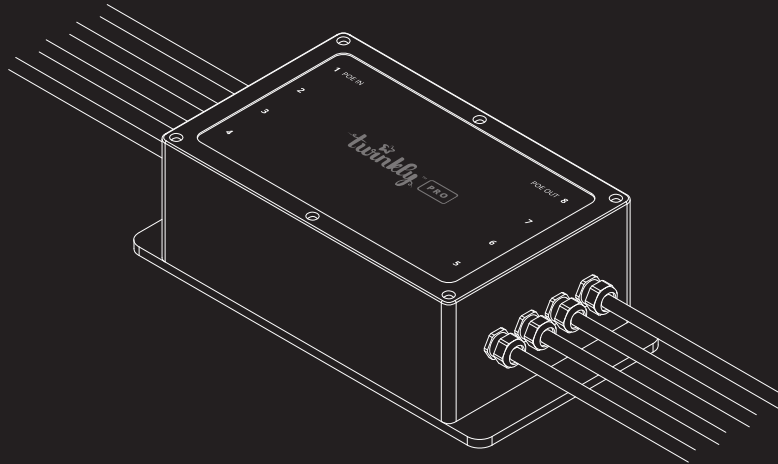




Smart decoration solutions for professionals



USERGUIDE **TWP-SW-8**

REV 1.200730

TABLE OF CONTENTS

Introduction	4
Package Contents	5
Installation Requirements	6

INSTALLATION PROCESS

Connecting to the Twinkly Pro Wi-Fi Bridge	7
Connecting to a Internet Router	9
Enabling the PoE	11
Typical Network Configuration	13

Introduction

Thank you for choosing Twinkly Pro for your lighting needs.

This manual will provide detailed instructions, guide you through the entire setup process, and assist you with the recommended installation procedure for your device(s).

By reading this step-by-step guide you will:

- avoid making common installation mistakes;
- learn the technical and practical knowledge needed to operate and manage your device(s) properly;
- minimize the need for Technical Support;
- help create the best experience possible for you and your customers.

At the end of this manual, complete the 'pre-flight' checklist and be ready to decorate like a boss!

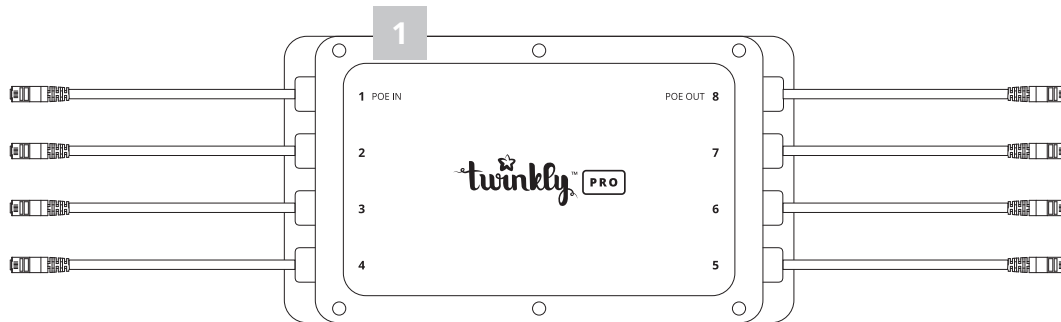
Sincerely,

THE TWINKLY PRO TEAM

Package Contents

What is inside the box

- 1 Twinkly PRO Connection Hub (*Accessory for Twinkly PRO Controller 1500 ETH*)



Installation Requirements

What is required for the installation *

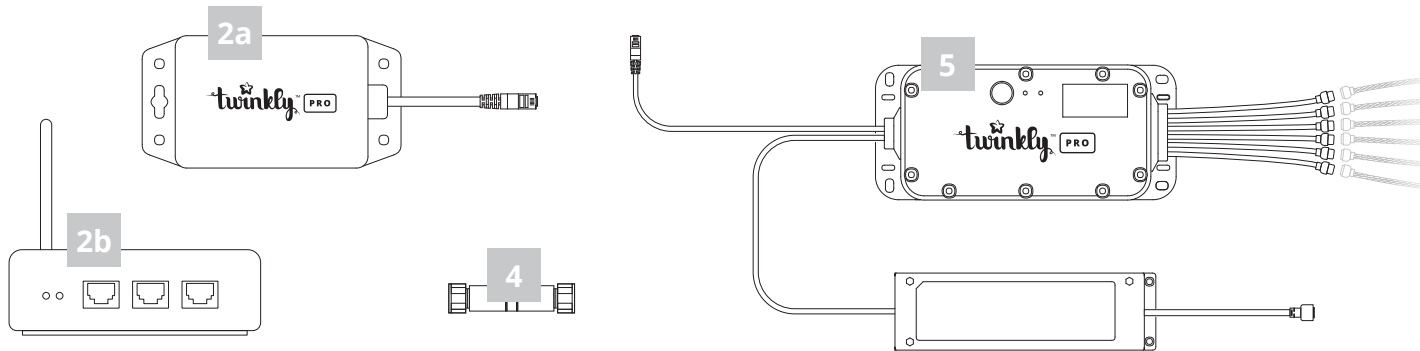
2a Twinkly PRO Wi-Fi Bridge

or

2b Internet Router**

4 Ethernet Cable Extender

5 Twinkly PRO Controller 1500 ETH



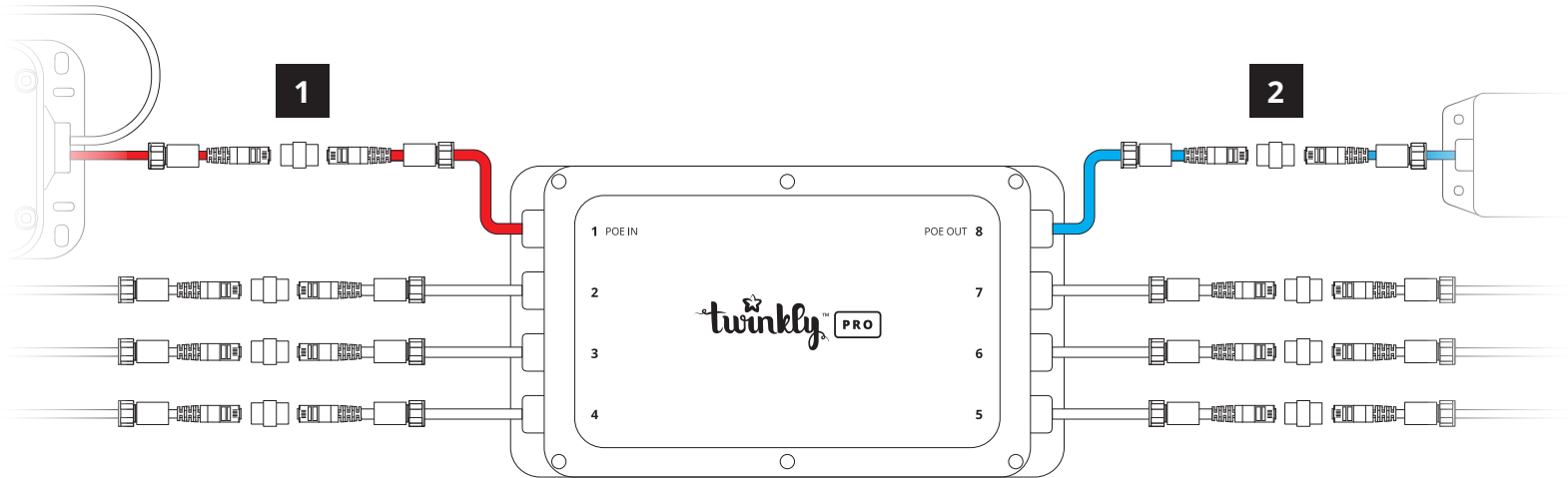
* purchased separately

** used to access advanced features: Multi-view Mapping and Cloud Control (WebApp)

STEP 1 - CASE A

Connecting to the Twinkly Pro Wi-Fi Bridge

(Access Point*)



* Refer to TWP-uWiFi user guide

NOTE - Does not support advanced features: Multi-view Mapping and WebApp

1 **Connect the Ethernet Controller to the Connection Hub using port 1** (indicated as PoE IN)

 PoE IN

2 **Connect the Wi-Fi Bridge to the Connection Hub using port 8** (indicated as PoE OUT)

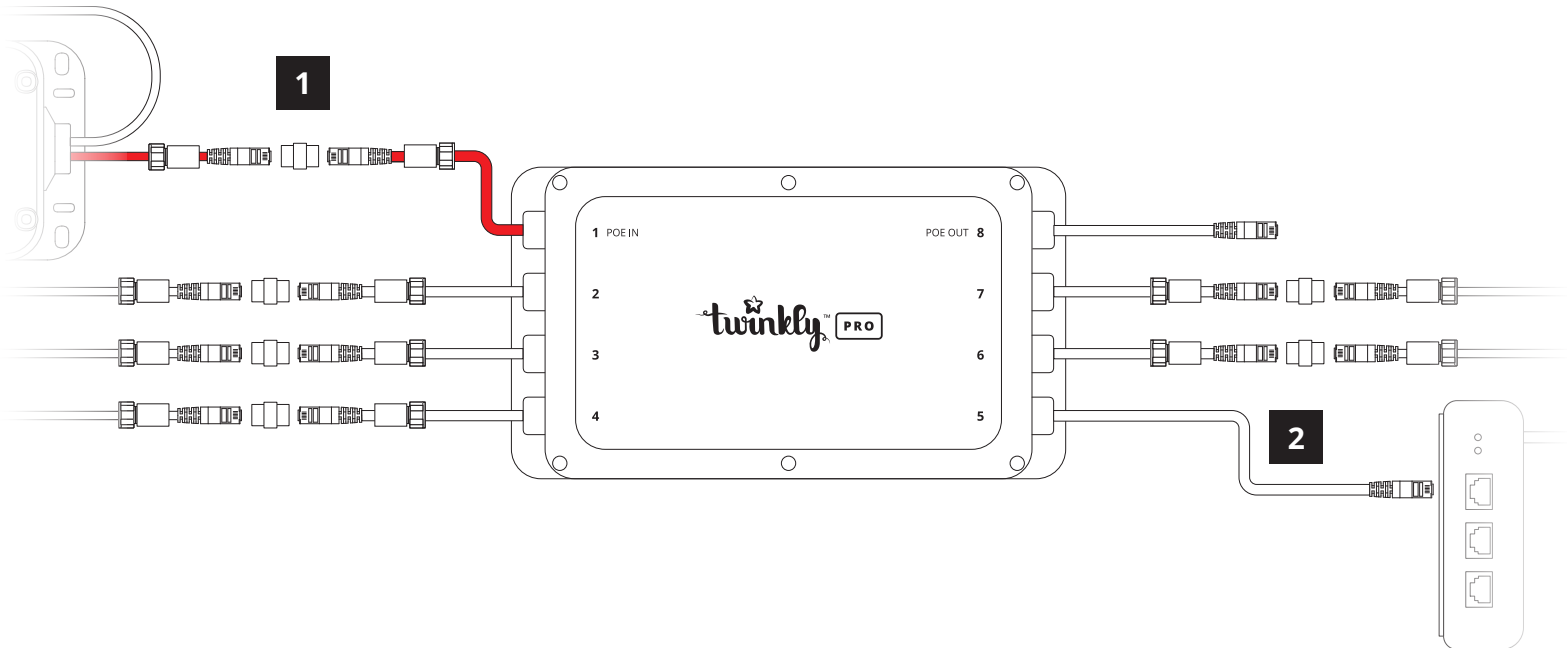
 PoE OUT

- You can also connect the Wi-Fi Bridge after enabling the PoE

3 **Plug the Ethernet Controller to a power source**

STEP 1 - CASE B

Connecting to a Internet Router

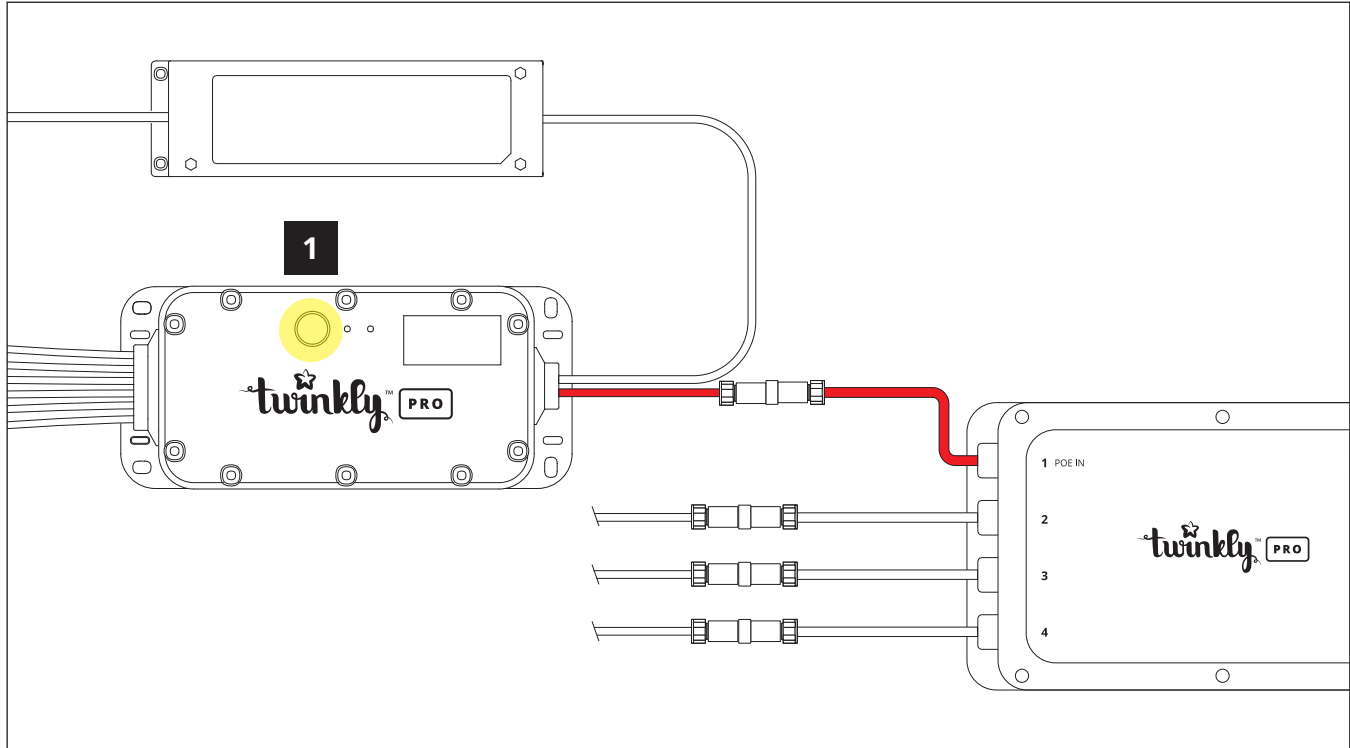


- 1 **Connect the Ethernet Controller to the Connection Hub using port 1** (indicated as PoE IN)
- 2 **Connect a free port ranging from 2 to 7 to your Internet Router** (do NOT connect to the port indicated as PoE OUT)
- 3 **Plug the Ethernet Controller to a power source**

 **PoE IN**

STEP 2

Enable the PoE



Verify the status of the PoE by looking for the flashing red LED, if the LED is flashing red, the PoE is already activated.

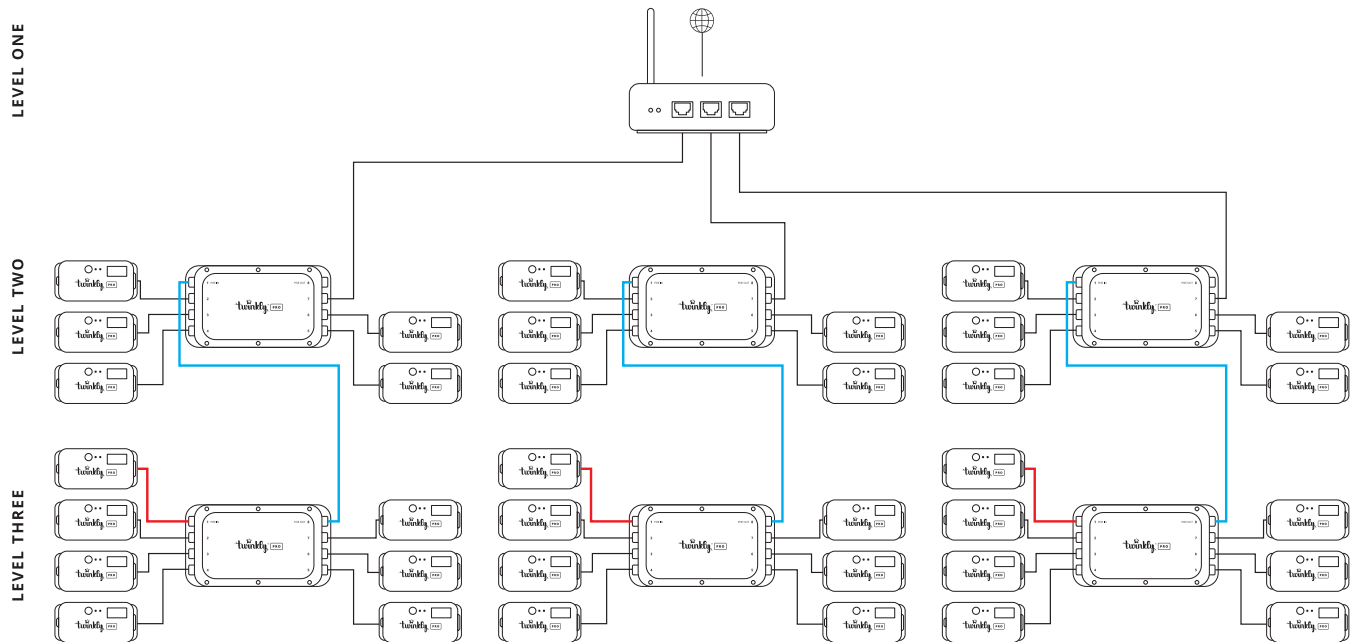
- 1 **Enable the PoE** by pressing and holding the button until the LED turns flashing red
 - Once the PoE is turned on for the first time, it will remain activated even if you disconnect the Controller or the Wi-Fi Bridge / Internet Router
 - To turn off the PoE press and hold the controller button till the flashing red LED stops

*Wait for the Wi-Fi Bridge / Internet Router to connect.
This process can take up to 1 minute.*


NOTE: Enable the PoE only on the controller connected to port 1 (PoE IN)

TYPICAL

Network layout for multiple Connection Hubs



 **PoE IN**

 **PoE OUT**

NOTE

The maximum number of Connection Hubs is delimited by the number of available ethernet ports in your Internet Router.

If you need any further information,
please feel free to contact us:

sales@pro.twinkly.com

